

产品性能(Product Characteristics)

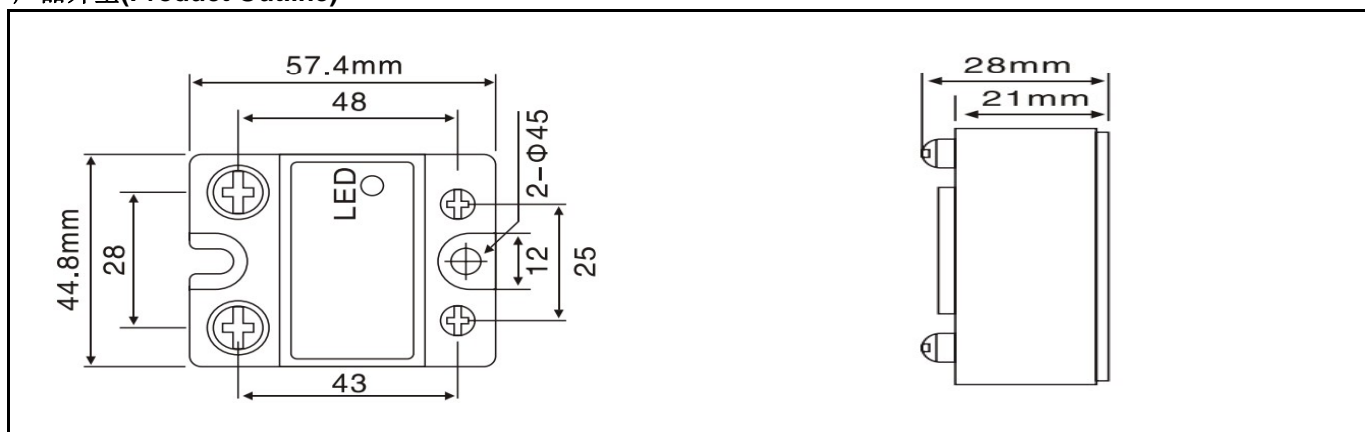
- 过零输出型-阻性负载应用;瞬时输出型-感性负载应用
Zero Across Output Type Specially Designed for Resistive Loads
Random Output Type Specially Designed for Inductive Loads
- 3-32 VDC 宽控制电压输入,内带限流电路,红色LED灯指示输入信号状况
3-32 VDC Wide Input DC Voltage, with Current Limiter, Red LED Show the Input Signal Status
- 负载电压: 24-240VAC, 24-480VAC, 48-660VAC;负载电流: 10-120 A
Load Voltage: 24-240VAC, 24-480VAC, 48-660VAC; Load Current: 10-120 A
- 输入与输出采用光隔离,输入/输出/底板之间2000VAC隔离
Optical Isolation between Input and Output; 2000 VAC isolation among Input/Output/Base

控制输入: 3-32VDC或80-280VAC
负载输出: 24-660 VAC, 10-120 A(可选)

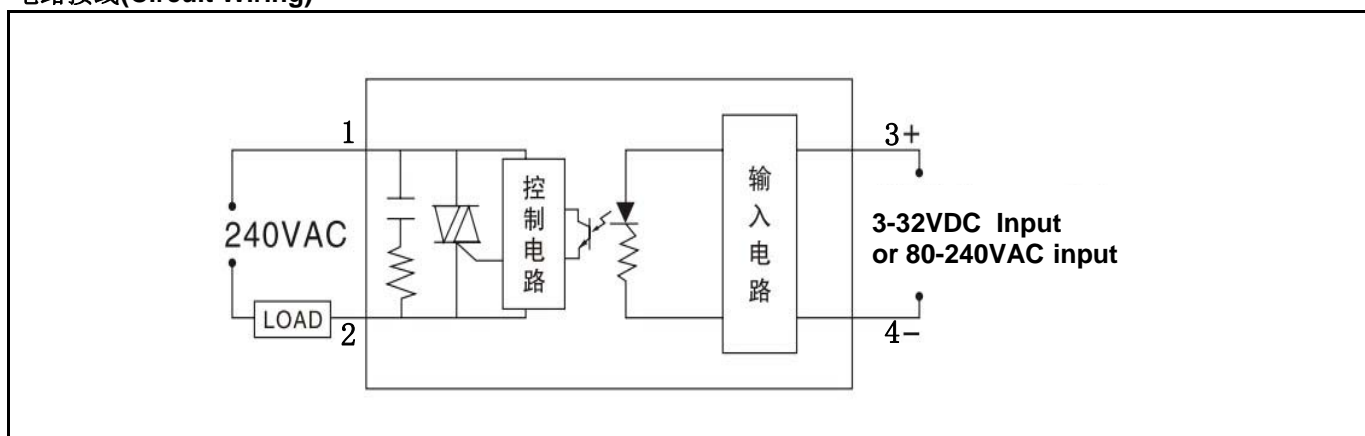
Control Input: 3-32 VDC or 80-240VAC
Load Output: 24-660 VAC, 10-120 A (Option)



产品外型(Product Outline)



电路接线(Circuit Wiring)



品质保证, 真诚服务(Good Quality, Good Service)

服务热线: 86-21-64880512

官网地址: www.giemson.com

输入电路参数(Input Circuit Characteristics)

参数(Parameters)	AC Input	DC Input
输入电压范围(Input Voltage Range)	80-280 VAC	3-32 VDC
最大导通电压(Max Turn-on Voltage)	80 VAC	3 VDC
最小关断电压(Min Turn-off Voltage)	10 VAC	1 VDC
指示灯状态(LED Status)	Red	

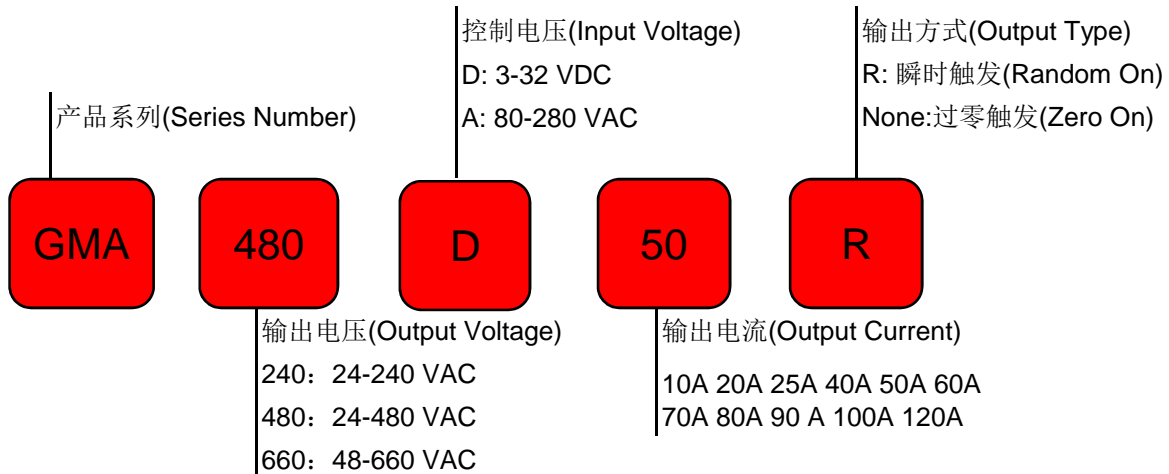
输出电路参数(Output Circuit Characteristics)

负载电压范围(Line Voltage Range)	24-240 VAC, 24-480 VAC, 48-660VAC
负载电流范围(Line Voltage Range)	10-120 A
最大导通压降(Max On State Voltage Drop)	1.5 VAC
最大断态漏电流(Max Off-State Leakage Current)	10 mA
最大热阻系数(Thermal Resistance)	2.3 °C/W
最大导通时间(Max. Turn-On Time)	过零型(Zero Across):1/2 周期(Cycle); 瞬时型(Random):0.1 mS
最大关断时间(Max. Turn-Off Time)	1/2 周期(Cycle)

通用参数(Output Circuit Characteristics)

绝缘强度(Dielectric Strength 50/60Hz Input/Output/Base)	2000 VAC
工作温度范围(Operating Temperature Range)	-30 to 80°C
存储温度范围(Storage Temperature Range)	-30 to 120°C
典型重量(Typical Weight)	80 g

产品选型(Product Selection)



产品选型示例(Product Selection Example):

控制电压(Input) :3-32VDC, 负载电压(Line Voltage): 480VAC, 负载电流(Line Current):50A, 过零型(Zero SSR)
 产品选型为(Right Product):GMA480D50

品质保证, 真诚服务(Good Quality, Good Service)

客户服务热线: 86-21-64880512

官网地址: www.giemson.com