

产品性能(Product Characteristics)

- 面板安装, MOSFET或者IGBT输出型。
Panel Mounted, MOSFET or IGBT Output.
- 3-32 VDC 宽控制电压输入,内带限流电路,红色LED灯指示输入信号状况
3-32 VDC Wide Input DC Voltage, with Current Limiter, Red LED Show the Input Signal Status
- 负载电压:5-60VDC, 5-100VDC, 5-200VDC, 5-400VDC, 5-500VDC;负载电流:10-100 A
Load Voltage: :5-60VDC, 5-100VDC, 5-200VDC, 5-400VDC, 5-500VDC; Load Current:10-100 A
- 输入与输出采用光隔离,输入/输出/底板之间2500VAC隔离
Optical Isolation between Input and Output; 2500 VAC isolation among Input/Output/Base

控制输入: 3-32 VDC

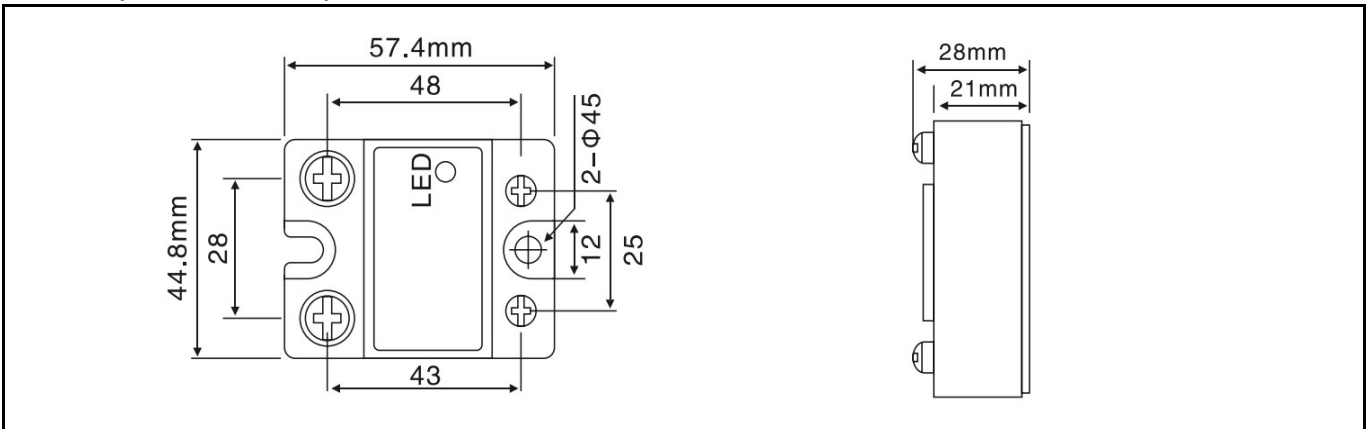
负载输出: 5-60,100,200,400,500 VDC,10-100 A(可选)

Contol Input: 3-32 VDC

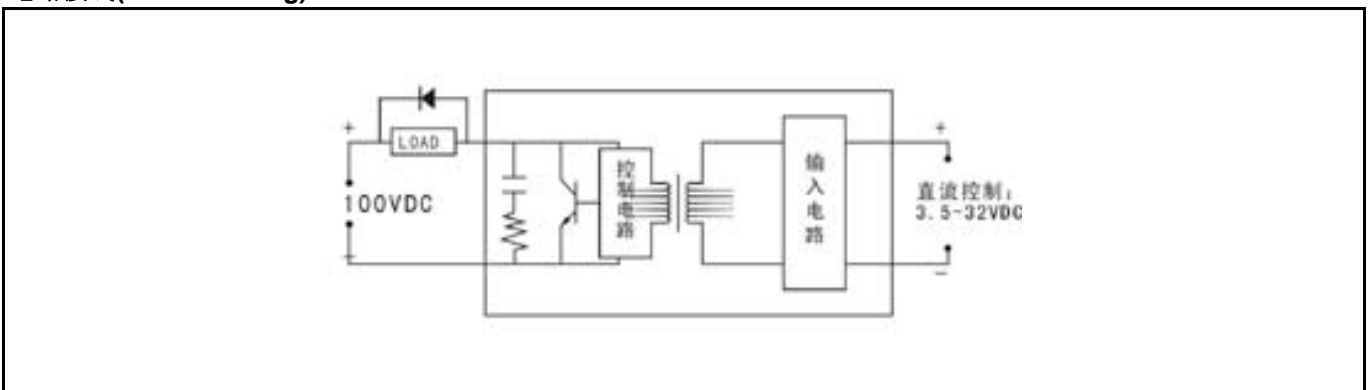
Load Output: 5-60,100,200,400,500 VDC,10-100 A(Option)



产品外型(Product Outline)



电路接线(Circuit Wiring)



品质保证, 真诚服务(Good Quality, Good Service)

服务热线: 86-21-64880512

官网地址: www.giemson.com

输入电路参数(Input Circuit Characteristics)

参数(Parameters)	DC Input
输入电压范围(Input Voltage Range)	3-32 VDC
最大导通电压(Max Turn-on Voltage)	3 VDC
最小关断电压(Min Turn-off Voltage)	1 VDC
指示灯状态(LED Status)	Red

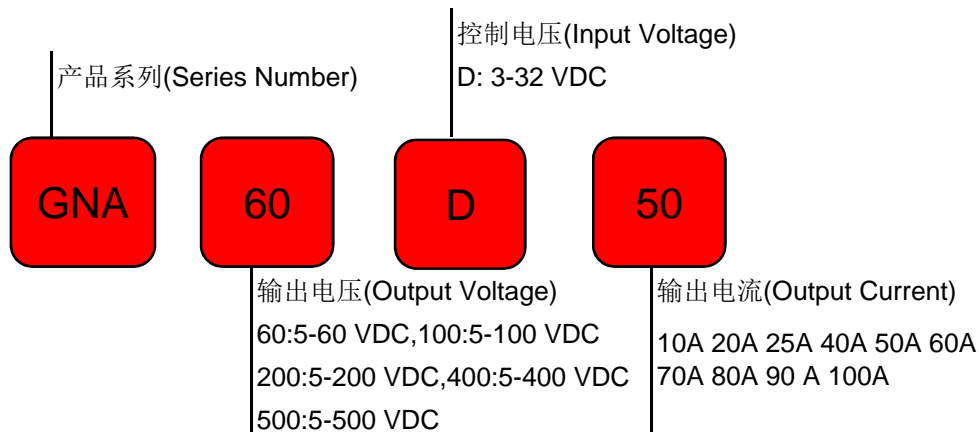
输出电路参数(Output Circuit Characteristics)

负载电压范围(Line Voltage Range)	:5-60VDC, 5-100VDC, 5-200VDC, 5-400VDC, 5-500VDC
负载电流范围(Line Current Range)	10-100 A
最大导通压降(Max On State Voltage Drop)	1.3 VDC
最大断态漏电流(Max Off-State Leakage Current)	10 mA
最大热阻系数(Thermal Resistance)	2.3 °C/W
最大导通时间(Max. Turn-On Time)	0.1 mS
最大关断时间(Max. Turn-Off Time)	0.3 mS

通用参数(General Characteristics)

绝缘强度(Dielectric Strength 50/60Hz Input/Output/Base)	2500 VAC
工作温度范围(Operating Temperature Range)	-30 to 80°C
存储温度范围(Storage Temperature Range)	-30 to 120°C
典型重量(Typical Weight)	80 g

产品选型(Product Selection)



产品选型示例(Product Selection Example):

控制电压(Input) :3-32VDC,负载电压(Line Voltage): 48 VDC,负载电流(Line Current):20A,产品选型为(Right Product):GNA60D20

品质保证, 真诚服务(Good Quality, Good Service)

服务热线: 86-21-64880512

官网地址: www.giemson.com